



**GstarCAD 2022**

Efficient design & Accurate plotting

[www.gstarcad.com.my](http://www.gstarcad.com.my)



## What is GstarCAD

---

GstarCAD is well-known alternative CAD software of high compatibility with ACAD. With nearly 30 years of continuous improvement and lean innovation, today GstarCAD is far ahead in performance, stability and other key indicators and becomes leading CAD software in the world.

# GstarCAD 2022

Efficient design & Accurate plotting

In GstarCAD 2022, the plot functionalities are significantly improved, making plotting effects more precise and accurate. An upgraded raster engine has been integrated and enables more image formats, even 1 billion pixels images can be correctly attached, previewed, modified and plotted. Beyond, GstarCAD 2022 offers a plethora of other new and improved tools to help maximize your productivity.

# Profile



## Advantages

### Perfect Compatibility

GstarCAD constantly improves its compatibility in all aspects and accomplishes the high compatibility with ACAD. The seamless data format, familiar interface, command structure and user operating habit, ease of use customization settings and applications/add-ons are all ready for you in GstarCAD 2022.

### Innovative Tools

GstarCAD offers over 100 unique and innovation tools like "Collaboration", "Area Table", "Auto Layer", "Viewport to Layout", "Autoxlstable". They are adopted to significantly speed up your drafting speed.



- 1 Install and activate GstarCAD ⌚ 5min
- 2 Import customization settings  
CUIs, Plotters, Shortcuts, Blocks, Templates, Lisp Programs... ⌚ 5min
- 3 Edit or create your drawings and enjoy ⌚ 5min



### Flexible Licensing

GstarCAD licensing policy is flexible and simple. We provide both perpetual license and subscription. You are free to choose the license mode and you decide when to upgrade.

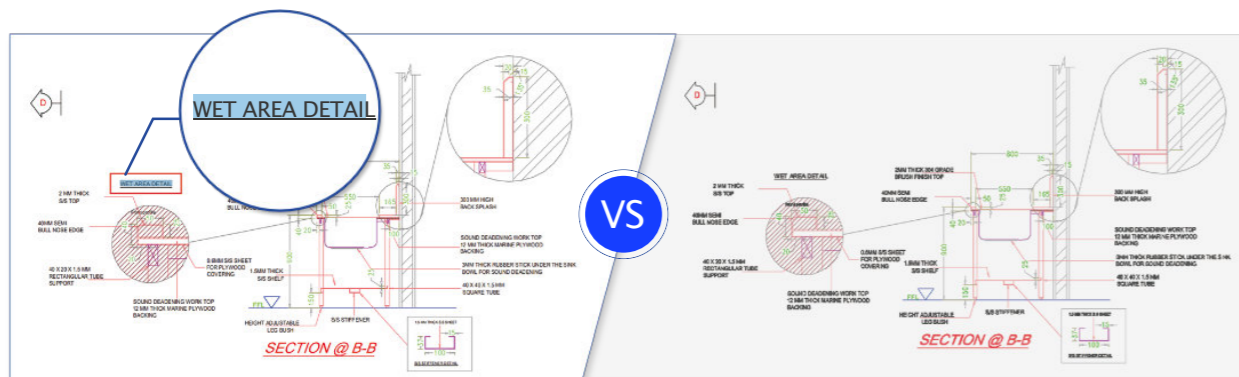
	Stand-alone		Network	
	License-key Serial number	USB-key Dongle	License-key Serial number	USB-key Dongle
Perpetual license	✓	✓	✓	✓
Rental license	✓	✗	✓	✗
License borrowing	✗	✗	✓	✗
Connection to license server	✗	✗	✓	✓

# Improvement

## Plot

### PDF Plot Driver

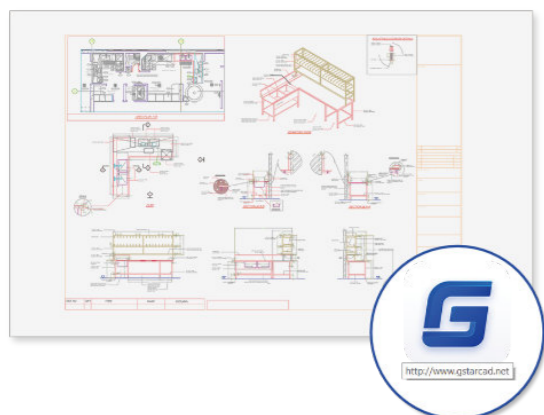
When you plot with any options in GstarCAD 2022, the TTF (Truetype fonts) text is output as searchable and editable text with smooth border display, no matter how you set the value of text width factor and oblique angle.



Plotted from GstarCAD 2022

Plotted from GstarCAD 2021

Hyperlinks are retained and remain clickable when plotted to PDF.

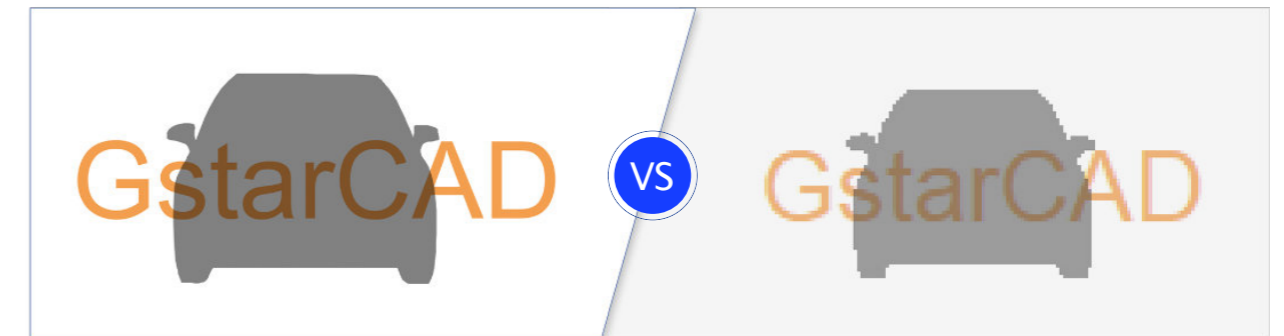


Third-party tools can easily read all information of the PDF plotted from GstarCAD 2022, and you are able to search, copy text and add electronic signatures, etc.



## Plot with Transparency

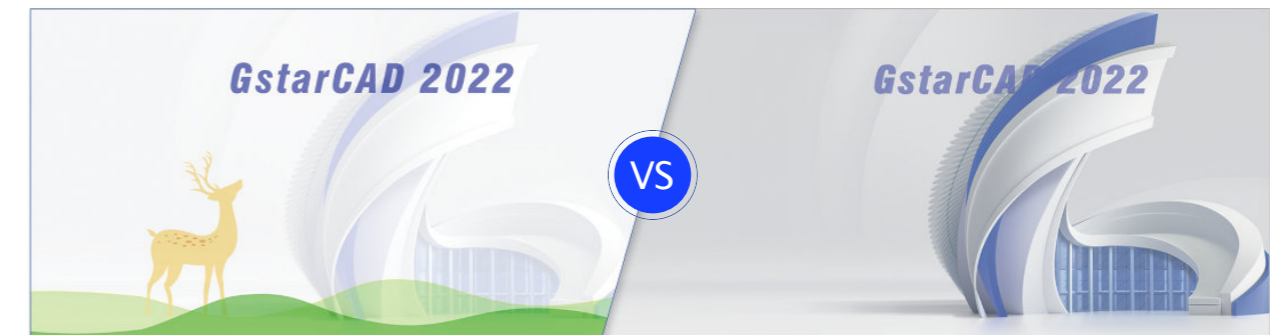
The display after plotting with transparency is much clearer and more accurate, the arcs, circles, ellipses, graphics and text boundaries are smoother. And the drawing information after plotting will not be modified, all kinds of objects can be plotted correctly.



Plotted from GstarCAD 2022 and scaled up 700%

Plotted from GstarCAD 2021 and scaled up 700%

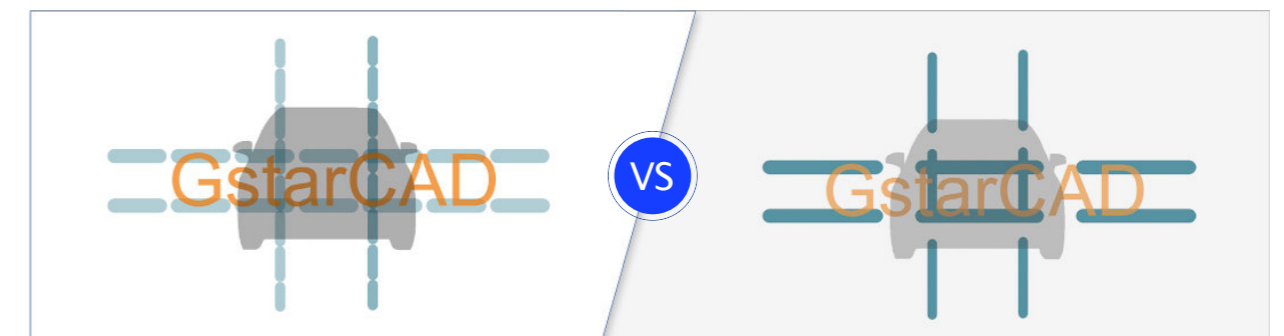
The raster images are able to be plotted with transparency perfectly in GstarCAD 2022.



Plotted from GstarCAD 2022

Plotted from GstarCAD 2021, the output image loses its transparency

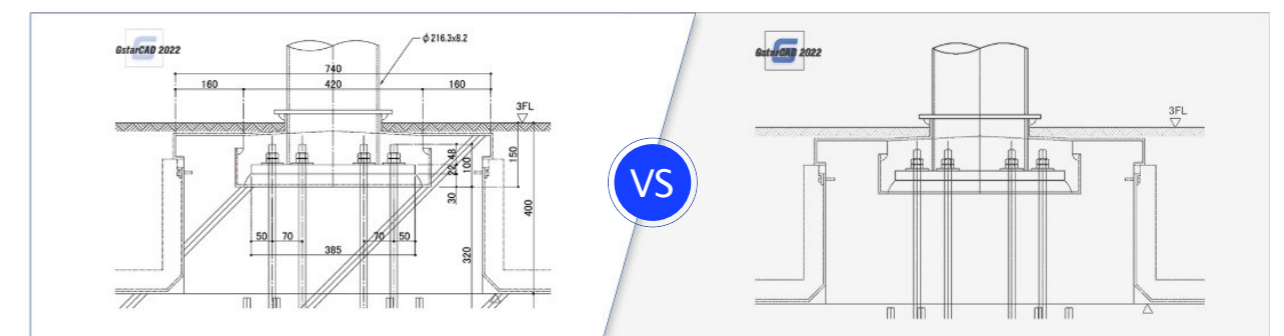
The Line Weight and Line Type are displayed correctly after plotting with transparency.



Plotted from GstarCAD 2022

Plotted from GstarCAD 2021

The annotative objects are displayed accurately and in high quality after plotting with transparency in GstarCAD 2022.

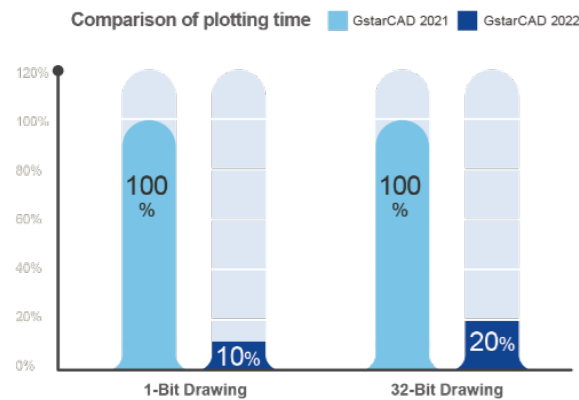


Plotted from GstarCAD 2022

Plotted from GstarCAD 2021

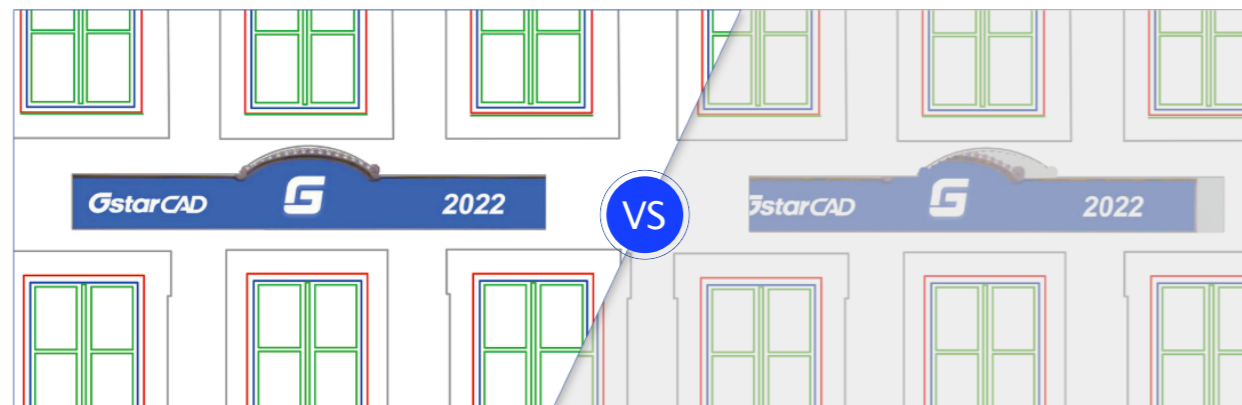
# Raster Images Plot

Large raster images in different sizes and formats can be previewed and plotted smoothly, in GstarCAD 2022, you are able to plot even 1 billion pixels images.



The plotting speed of 1-bit and 32-bit color raster images increases exponentially in GstarCAD 2022.

The display after plotting rotated or cropped raster images is more accurate, and images after plotting will not have any offset.



Plotted from GstarCAD 2022

Plotted from GstarCAD 2021

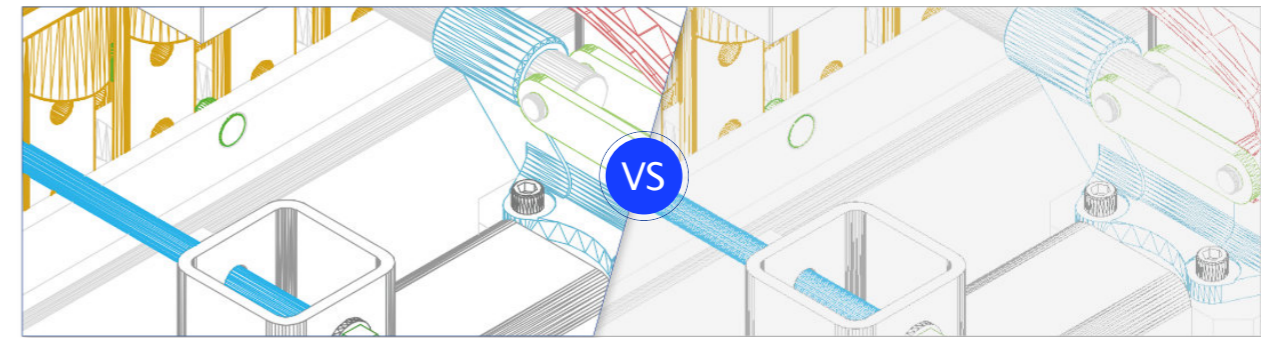
When you plot a raster image to PDF, the size of the plotted PDF file is greatly reduced, while its original details are fully retained, as well as keeping the high quality of plotting in GstarCAD 2022.

Large raster image plot 2021.pdf	29/07/2021 12:24	PDF Document 245,505 KB
Large raster image plot 2022.pdf	29/07/2021 12:16	PDF Document 300 KB

Same large raster image plotted to PDF

# Hidden Shade Plot

The display after hidden shade plotting is significantly improved, which is much more accurate and clearer than before. And the lines, polylines, arcs, circles, ellipses and other objects after hidden shade plotting now have smoother boundaries.



Plotted from GstarCAD 2022

Plotted from GstarCAD 2021

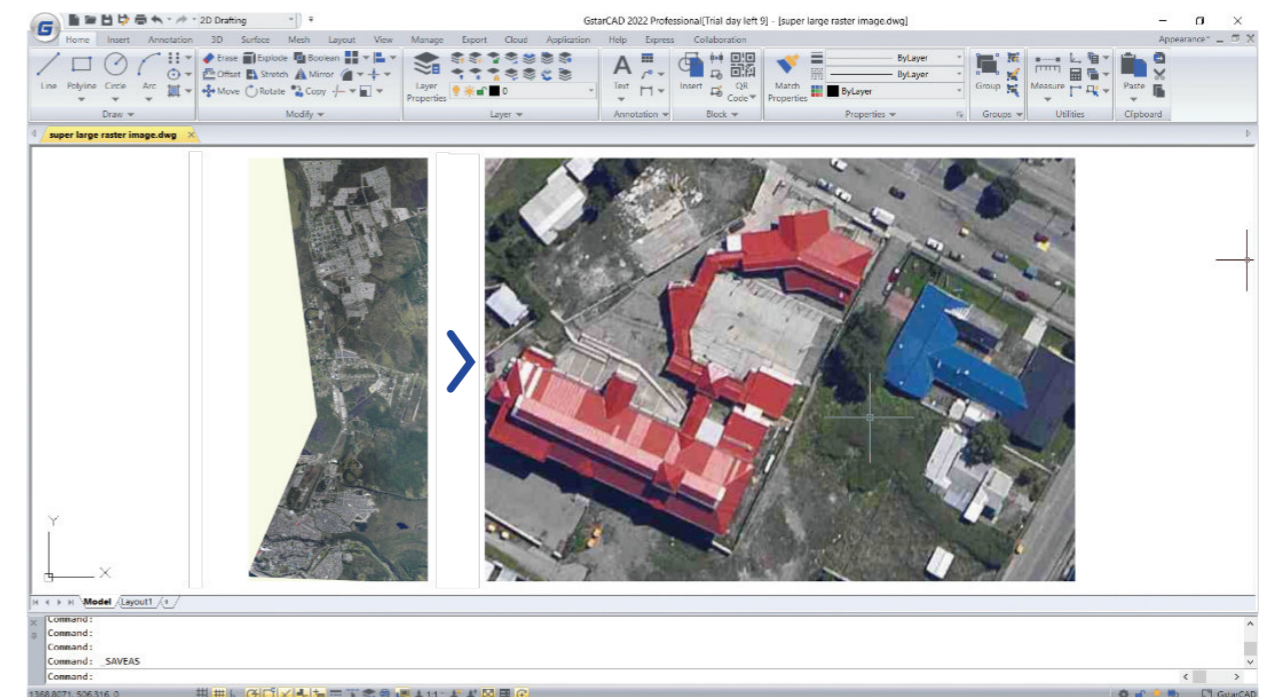
# Raster Image

## Formats

183 formats are available to be attached in GstarCAD 2022, greatly improving the compatibility of raster images.



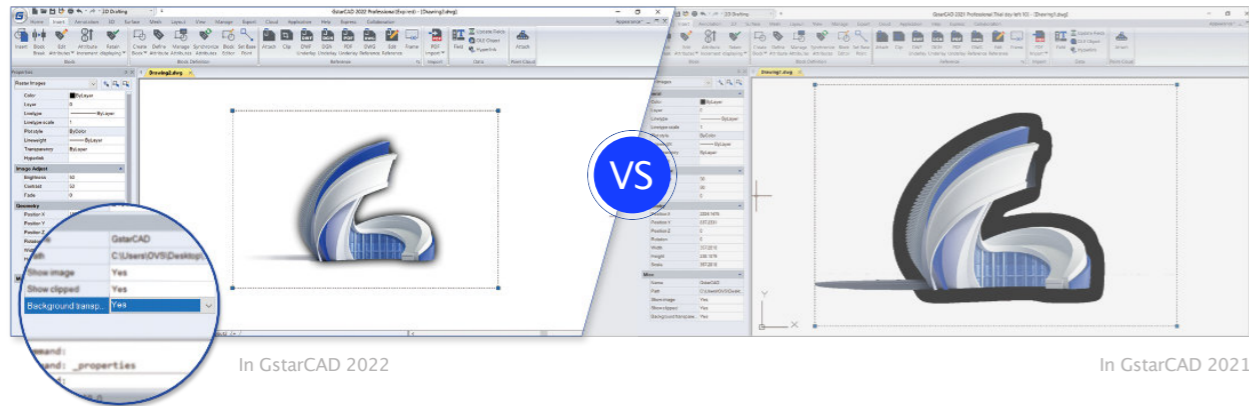
You can attach, preview, modify and plot raster images in different formats and sizes, even 1 billion pixels raster image is supported.



## Display

In GstarCAD 2022, the effects of brightness, contrast, fade, and highlight modification are more accurate, the display after modification is also becoming better.

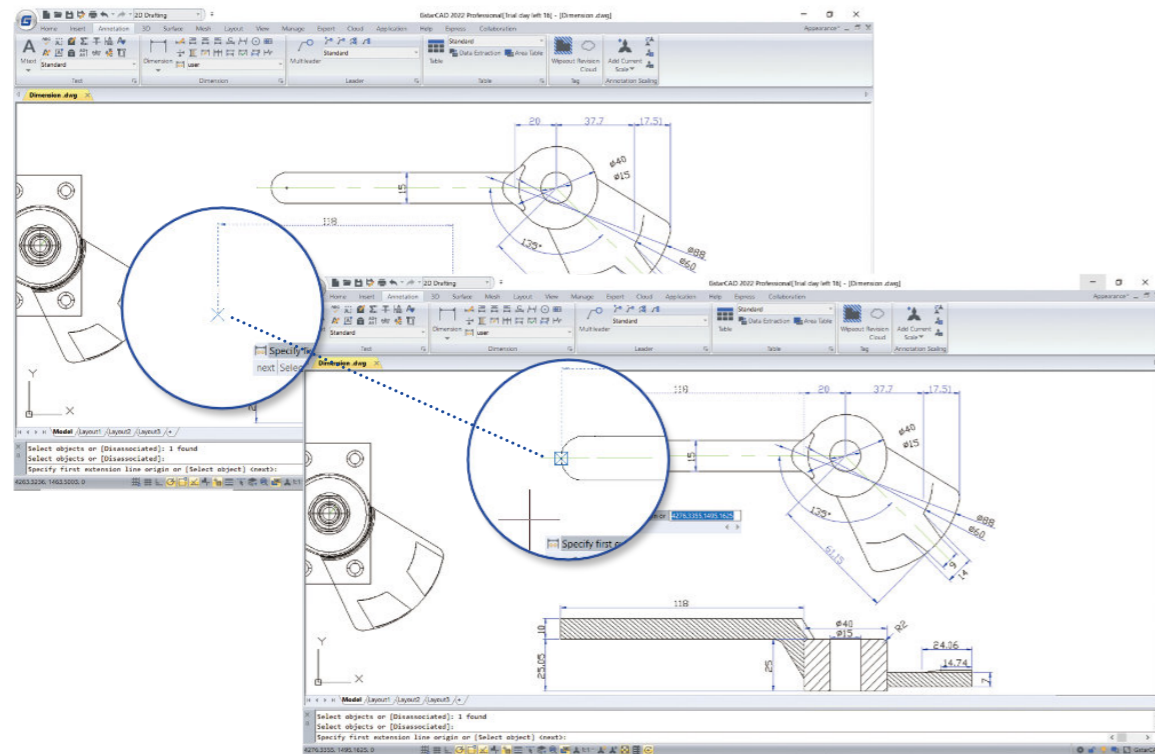
And, the display of attached images with transparency is more accurate when the 'Background transparency' is set to Yes.



## Dimension Features

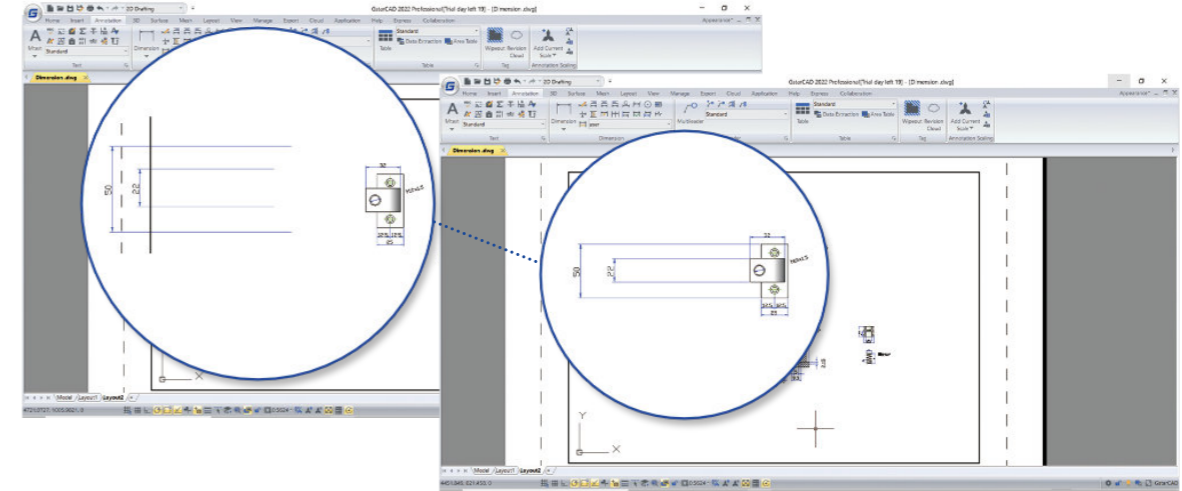
### DIMREASSOCIATE

The DIMREASSOCIATE command allows associating or reassociating selected dimensions to objects or points on objects.



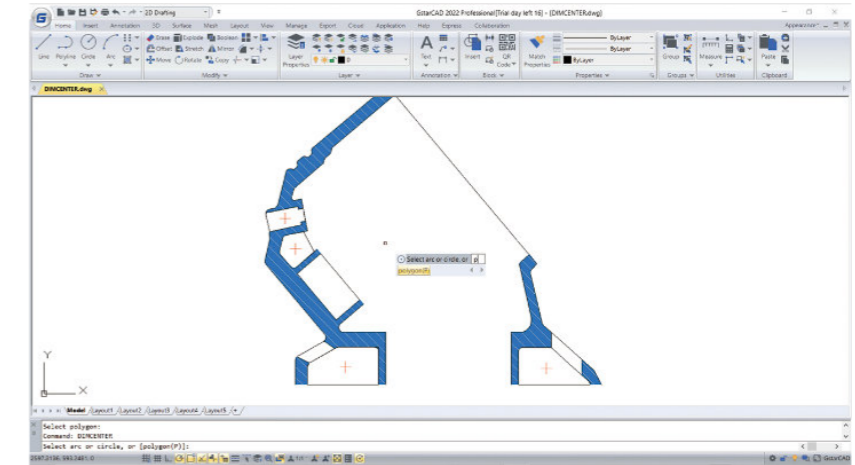
## DIMREGEN

The DIMREGEN command allows updating the positions of all associative dimensions in Model space or Layouts.



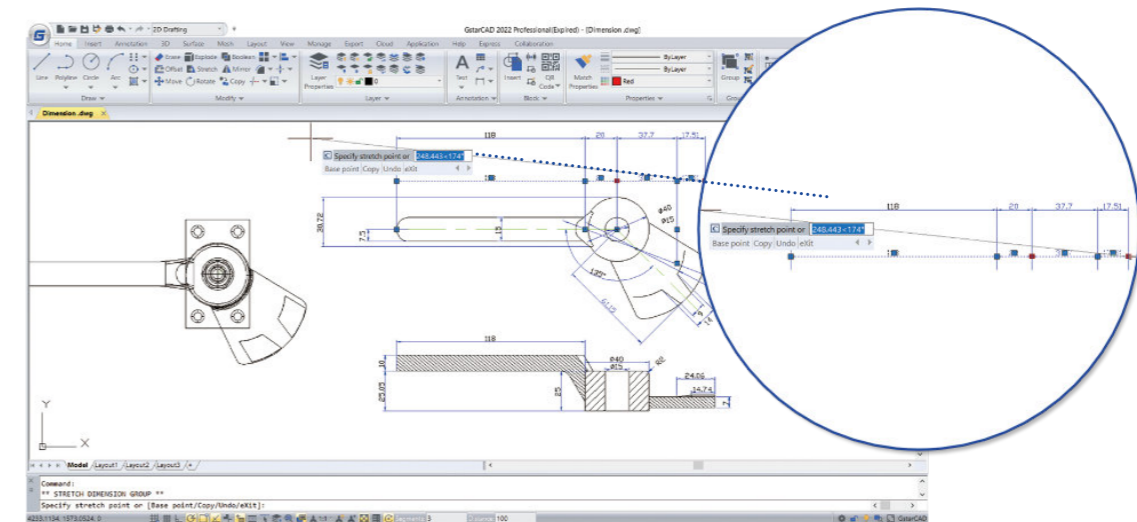
### DIMCENTER

A new option Polygon(P) has been added to DIMCENTER command, which allows you to mark center of polygons easily.



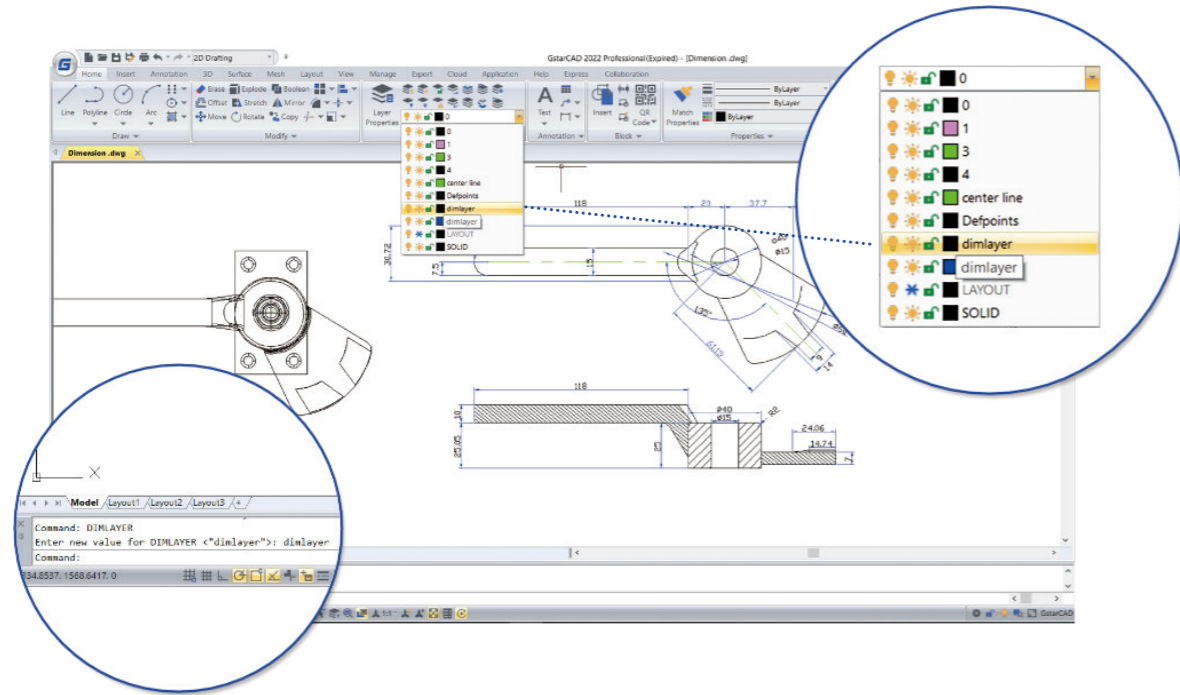
### Stretch Dimension Group

The "Stretch dimension group" option in the dynamic grip menu allows adjusting all dimensions which share grips with each other at once.



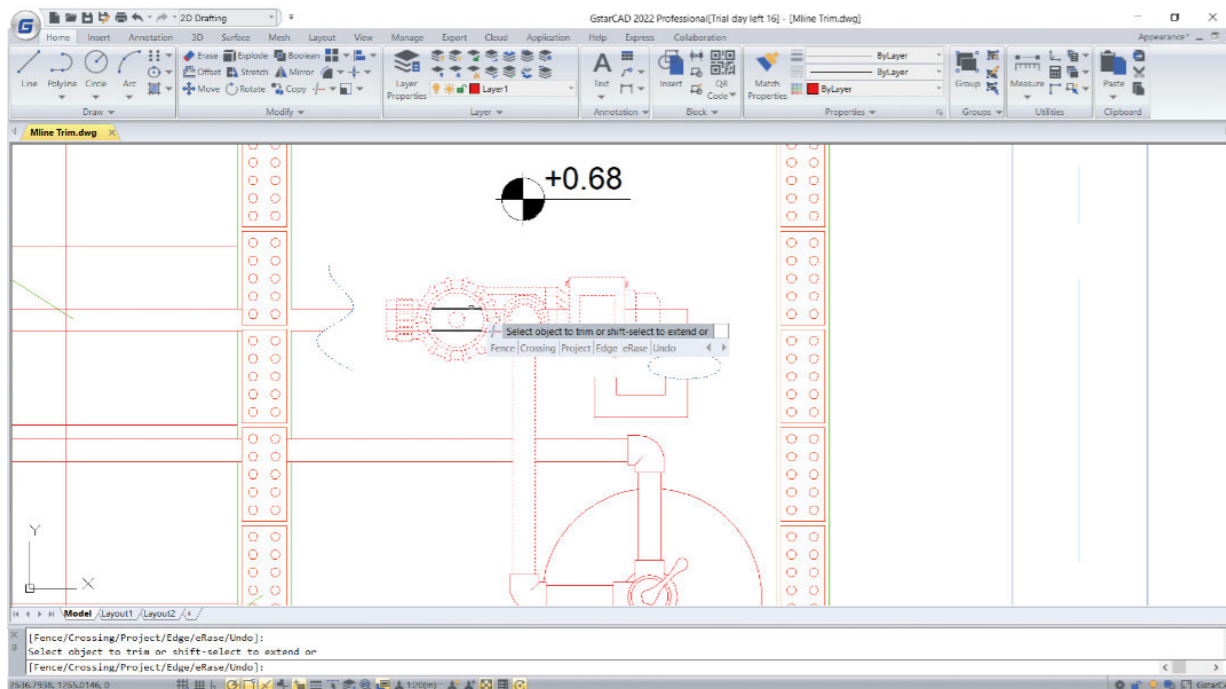
## DIMLAYER (system variable)

The system variable DIMLAYER specifies a default layer for dimensions, and basic dimensions will be created on that layer automatically instead of creating dimensions on current layer.



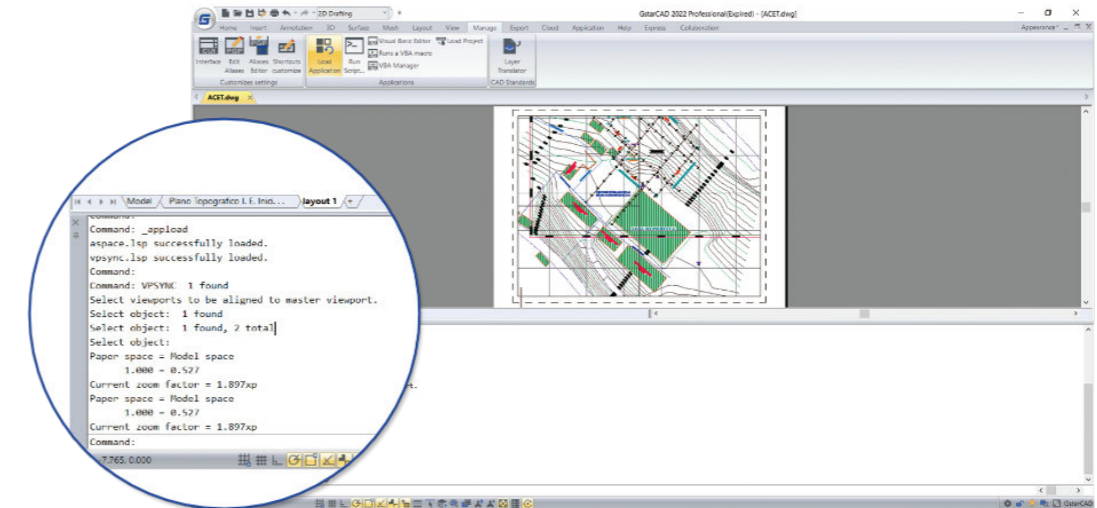
## Multi-Line Trimming

In GstarCAD 2022, the multi-line can be easily trimmed or extended by various objects like lines, polylines, circles, arcs, ellipses, splines, etc. And after selecting the boundaries, you can move the cursor on the multi-line and preview which part will be trimmed or extended.



## ACET Interfaces

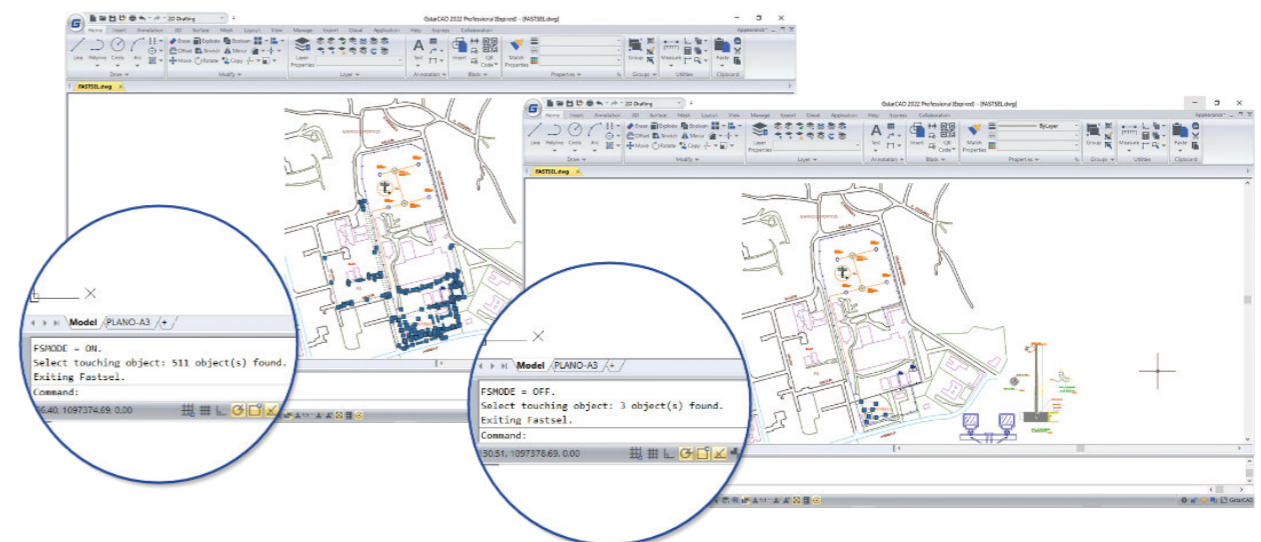
There are 351 ACET (AutoCAD Express Tools) interfaces supported in GstarCAD 2022. Now, more AutoCAD Express Tools and 'Plug-in' functionalities developed with these interfaces can be operated properly.



VPSYNC.LSP file is loaded successfully in GstarCAD 2022

## FASTSEL

In GstarCAD 2022, the fast select command FASTSEL allows selecting all the objects that touch the selected object, including lines, polylines, circles, arcs, attribute definitions, text, Mtext, ellipses, and images. The system variable FSMODE controls two different behaviors of the FASTSEL command.

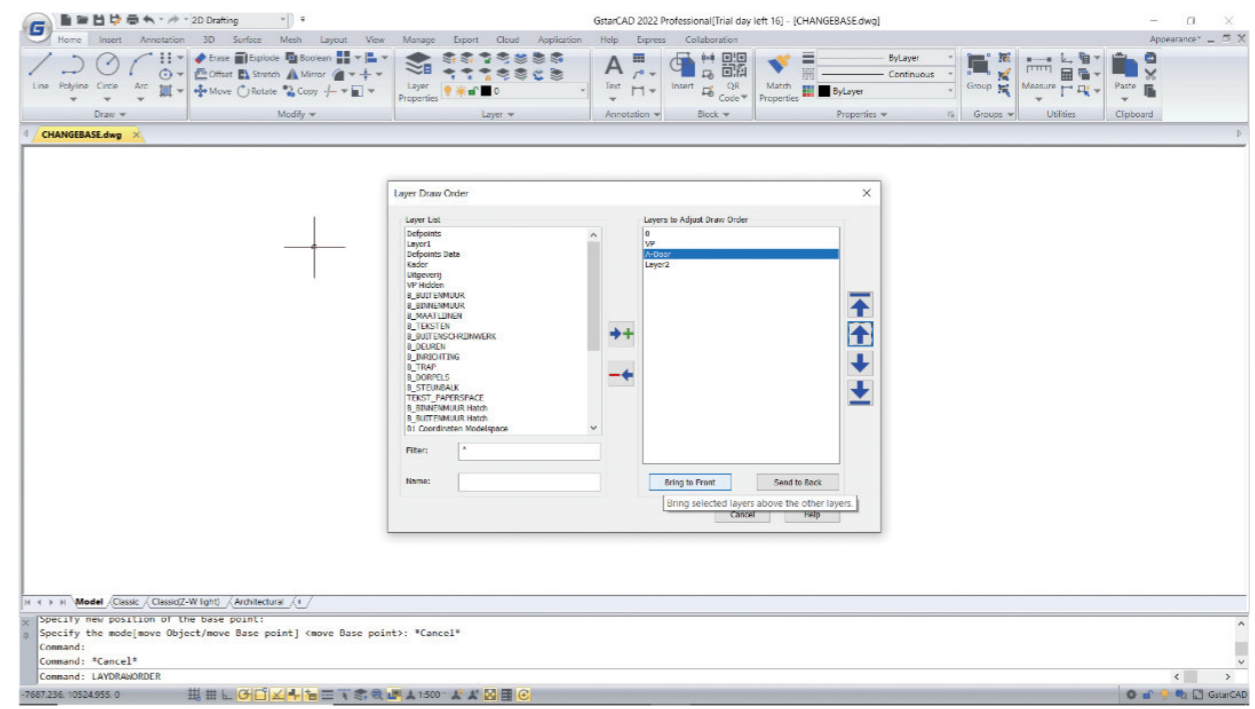




Innovative

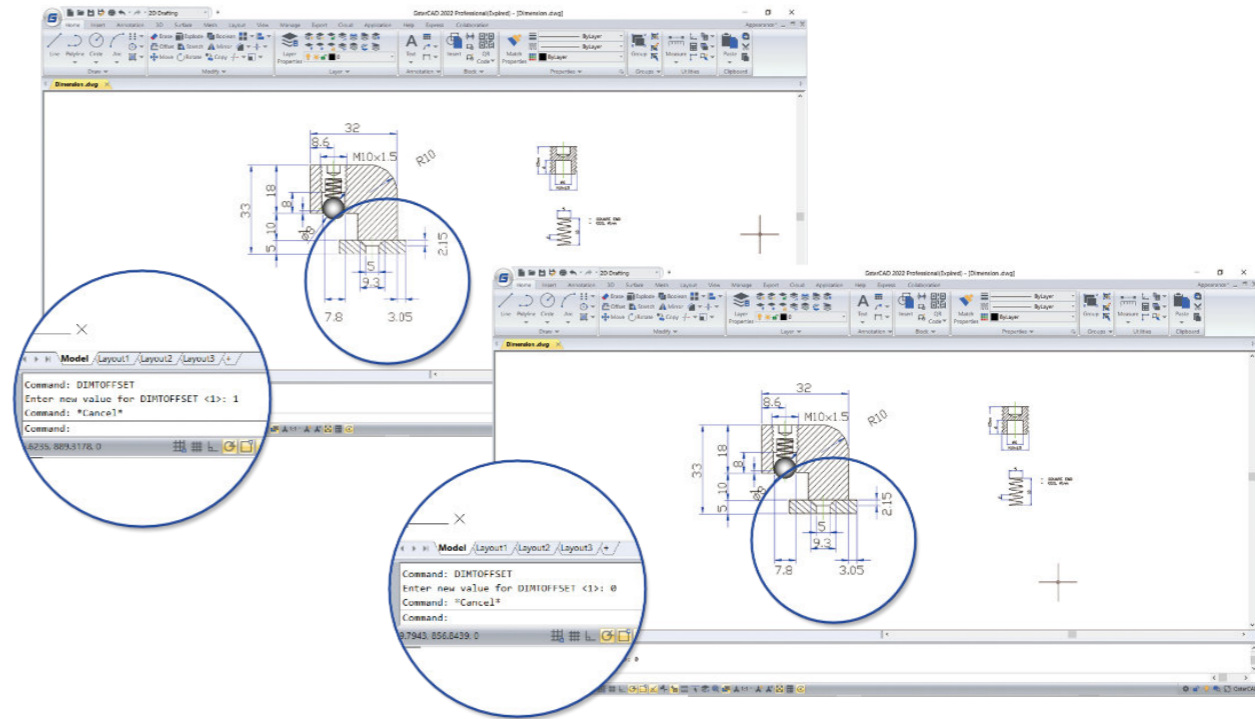
## LAYDRAWORDER

The LAYDRAWORDER feature allows rearranging the layers in GstarCAD 2022. You are able to select one or more layers, and bring them to front or send them to back with buttons in 'Layer Draw Order' window. You can also change the order of the layers in 'Layers to Adjust Draw Order' list conveniently.



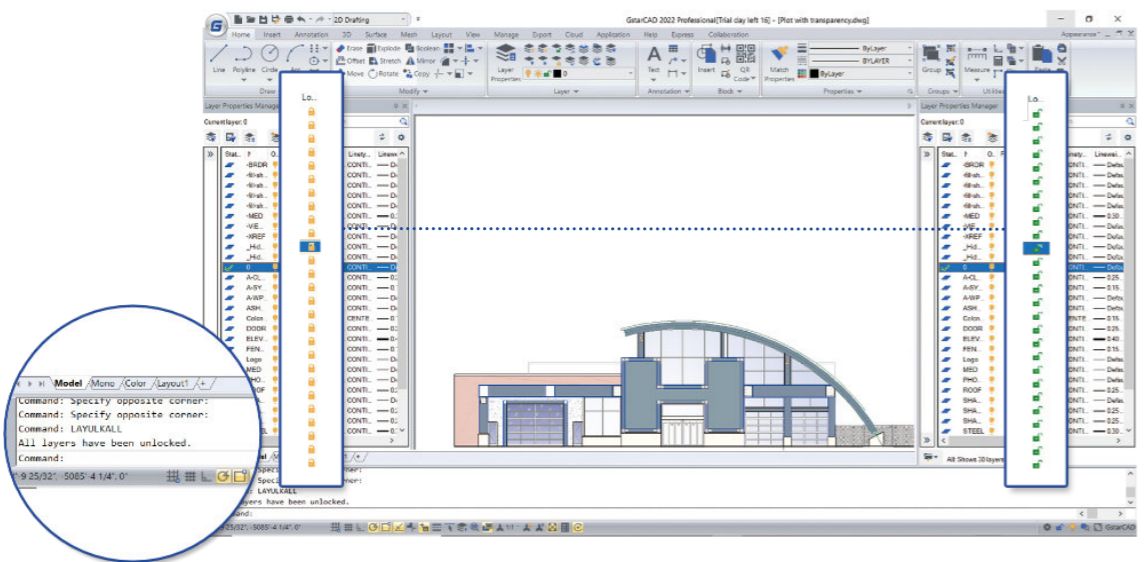
## DIMTOFFSET

In GstarCAD 2022, if the space above the arrows is not enough for dimension text when you place the dimension below or right the objects, the text will be placed downward. In this case, you can use two values of the system variable DIMTOFFSET to set two kinds of gap styles between the arrows and text, one is the same as AutoCAD, the other reduces the gap.



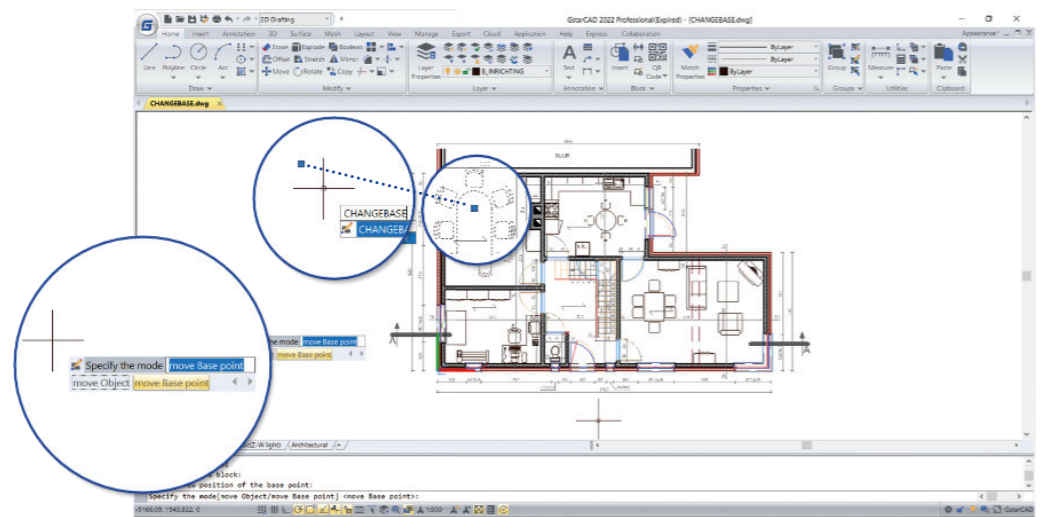
## LAYULKALL

In GstarCAD 2022, you can select LAYULKALL command to unlock all the locked layers immediately, instead of unlocking them one by one.



## CHANGEBASE

In GstarCAD 2022, the CHANGEBASE command allows changing the base point position of a block. You can move the base point and keep objects staying in same position, or move objects and keep base point staying in same position.



**SIEMENS**



**HONDA**

**NOKIA**



**RAILWAY  
TECHNOLOGY**

**PHILIPS**

**Canon** Japan



EXCLUSIVE DISTRIBUTOR

**NEOFAME TECHNOLOGIES SDN BHD**



Suite 731 Block B2 Leisure Commerce Square  
No 9 Jalan PJS 8/9 46150 Petaling Jaya  
Selangor D. E. MALAYSIA



+603 7876 0336



+603 7876 1336

SOFTWARE DEVELOPER

**Gstarsoft Co.,Ltd**



5/F Unit C, Building 201, No. A10,  
Jiuxianqiao North Road,  
Chaoyang District, Beijing, 100015, PR China



+86 10 57910629



+86 10 57910609

